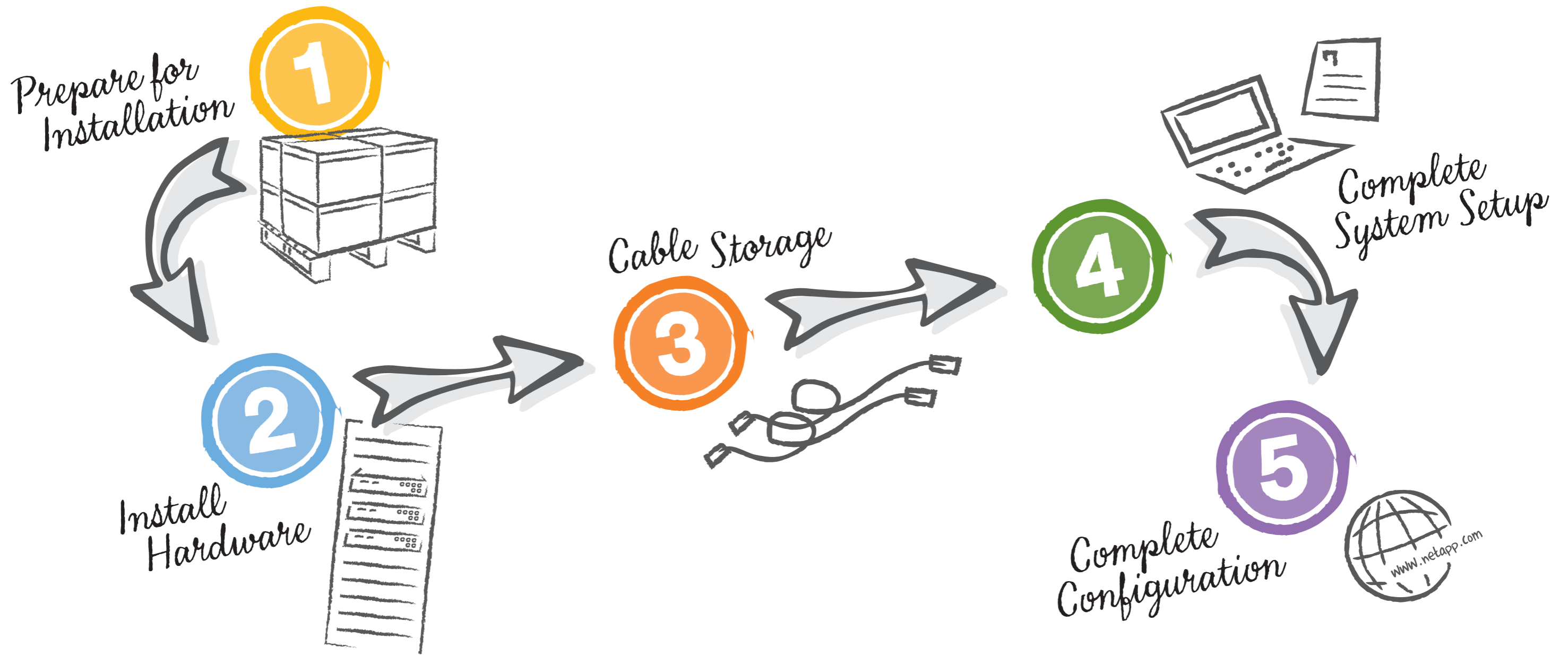




Installation and Setup Instructions

FAS8040 and FAS8060 Systems

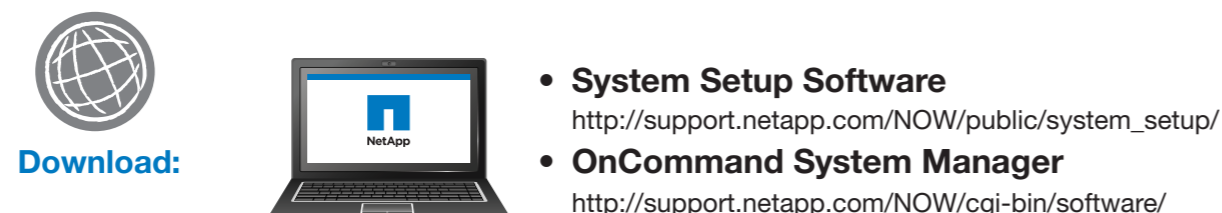
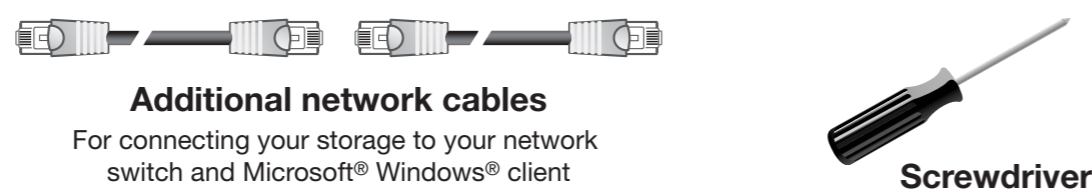
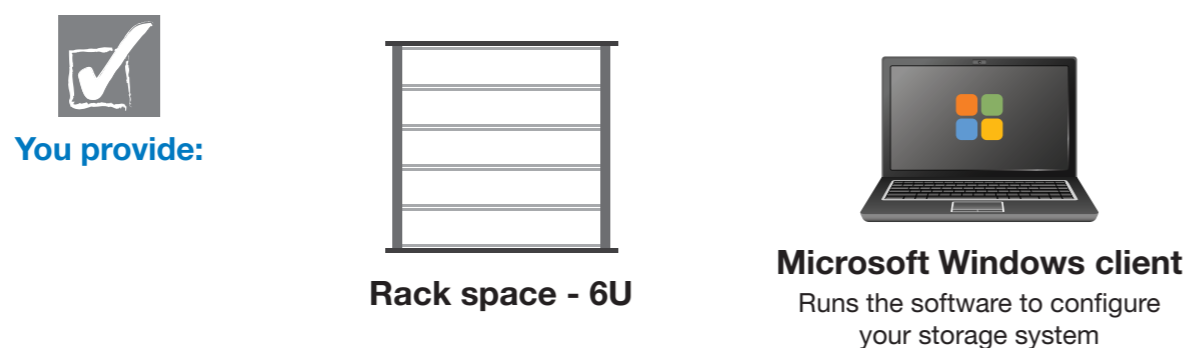
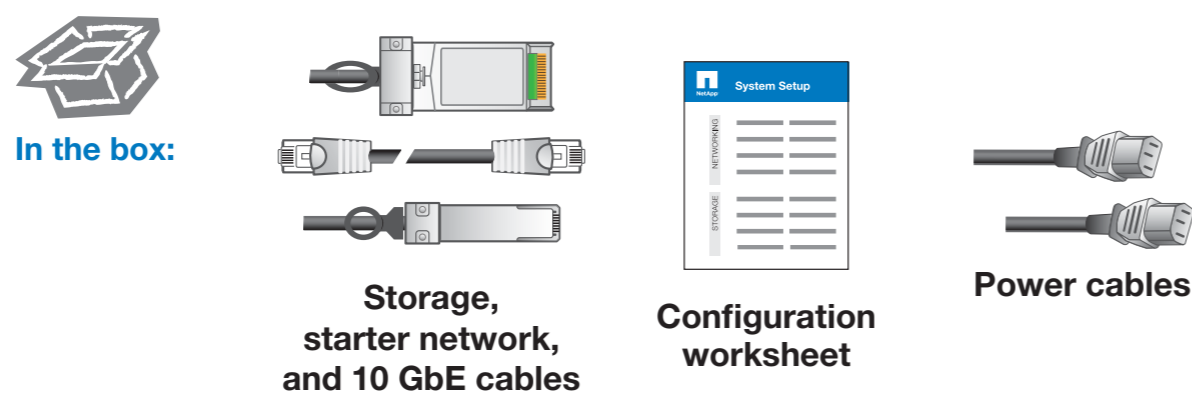


1

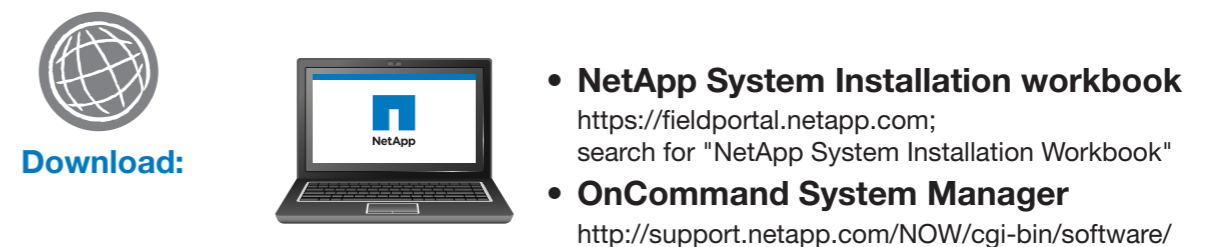
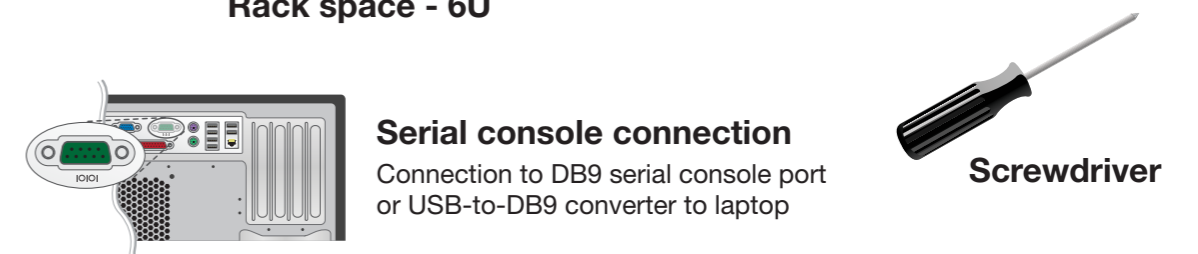
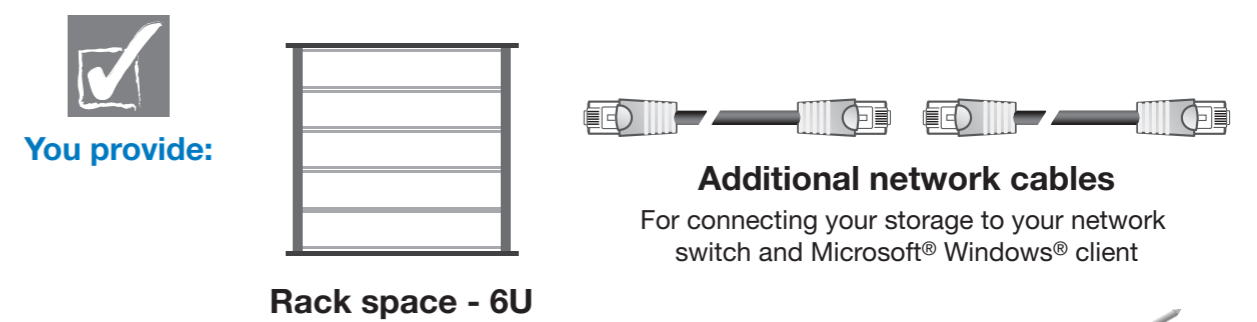
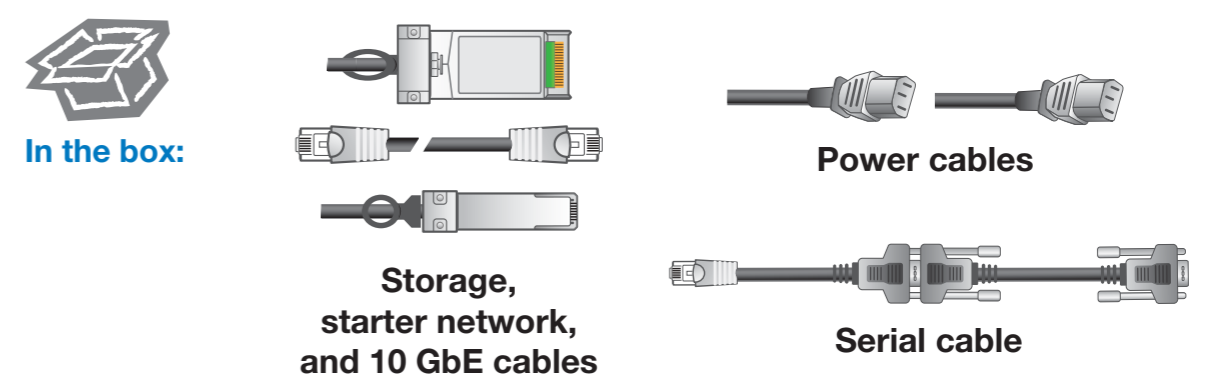
Prepare for installation (Choose option A or B below)



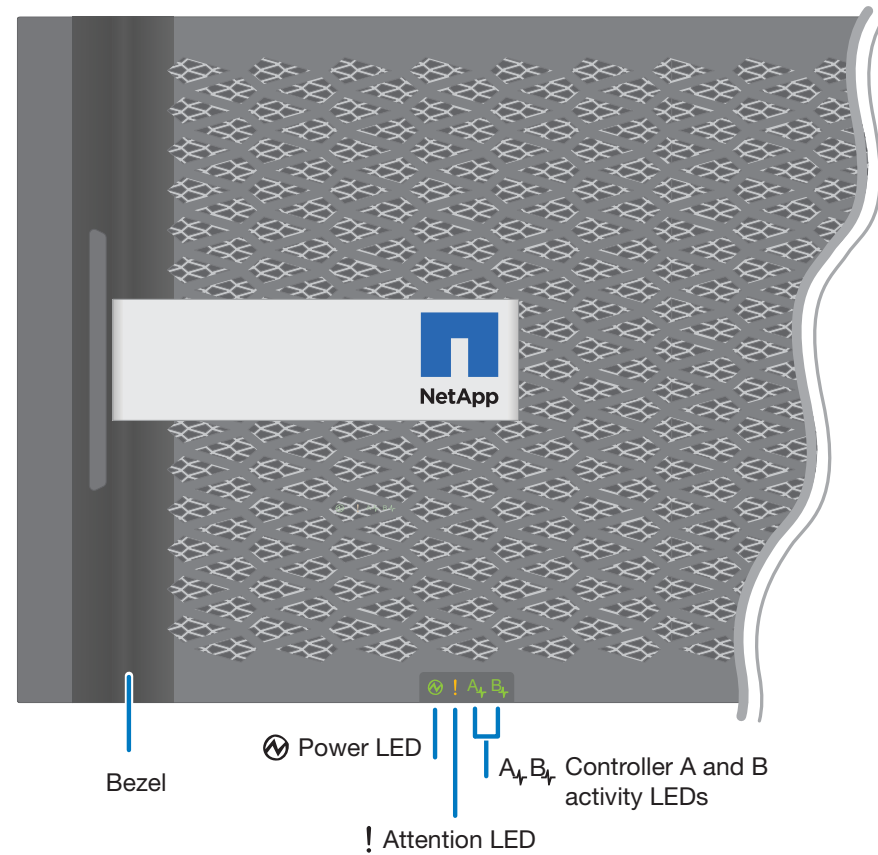
A For Clustered Data ONTAP



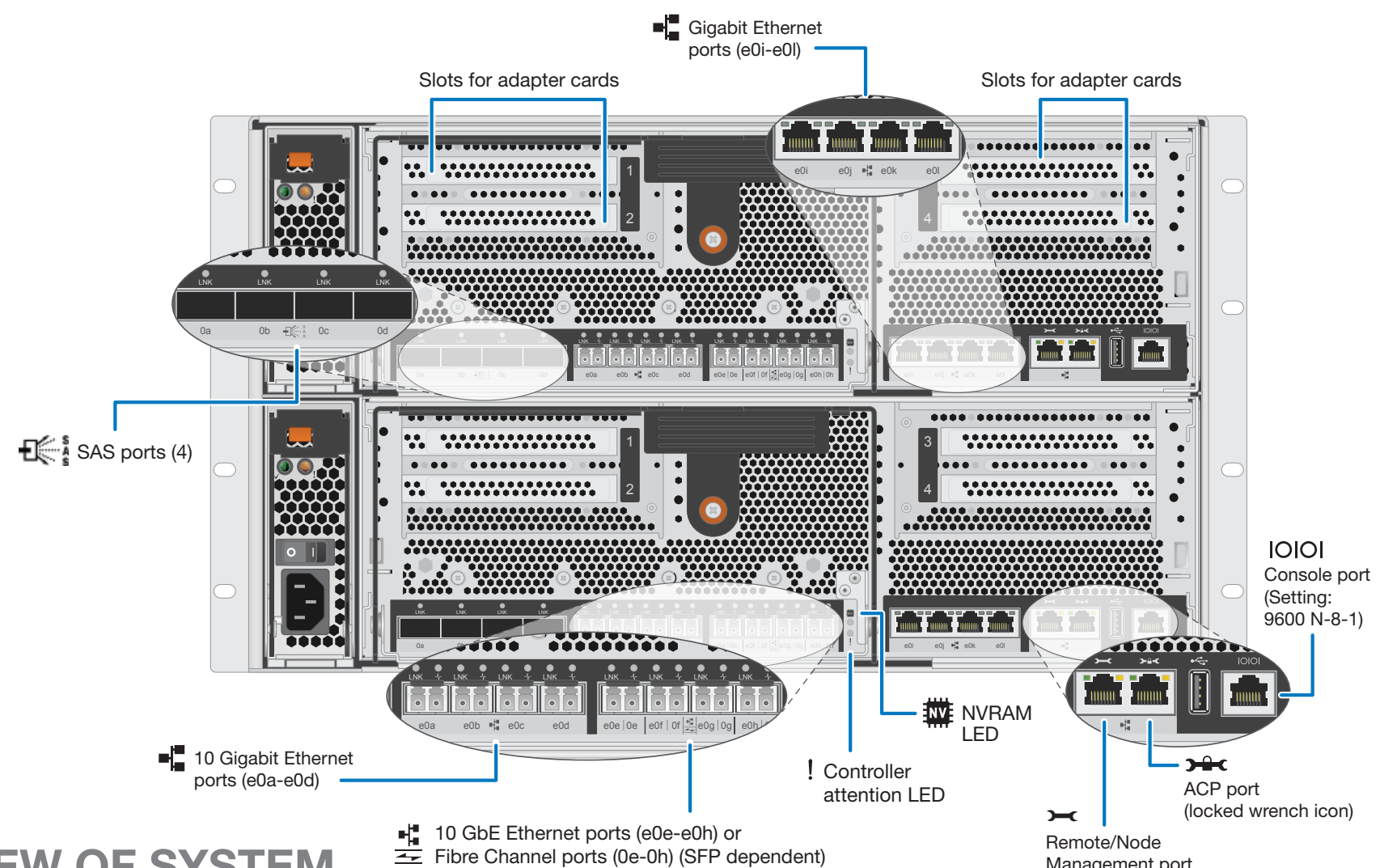
B For 7-Mode, HA



FRONT VIEW OF SYSTEM

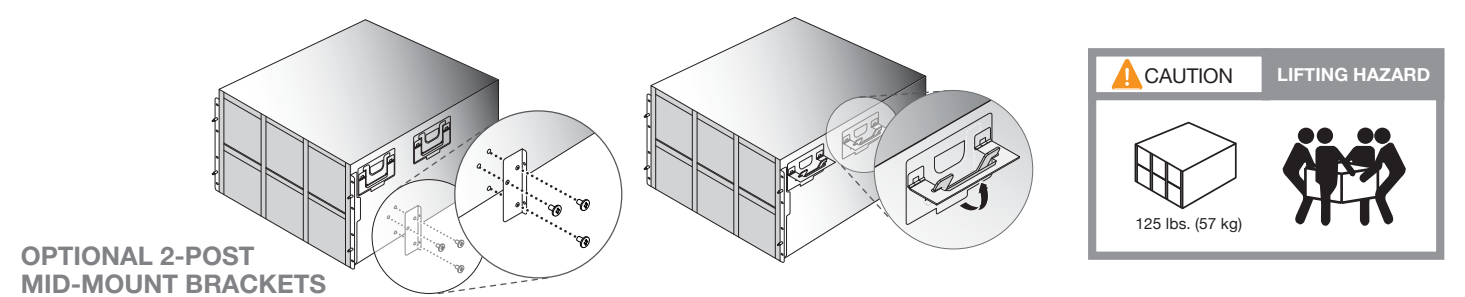


BACK VIEW OF SYSTEM



1 Install system

- Rack the system.
 - Rail kit:** follow instructions in the rail kit.
 - OR System cabinet:** install in the system cabinet.
- Place the bezel on the front of the system.



2 Cable controller to switches and power (Choose option A or B below)

See your network administrator for help connecting to your switch.

- Attach cable management tray. (Not shown)

- 10GbE Network cables

OPTION A: Cable the cluster interconnect e0a to e0a and e0c to e0c ports on both controllers.

OPTION B: Cable e0a through e0d on both controllers to switch(es).

- Network cables

Connect wrench ports to the management switch.

- Network cables

Connect GbE ports e0i and e0k to GbE data network switches.

- 10GbE Network cables

Connect ports e0e|0e and e0g|0g to data switch.

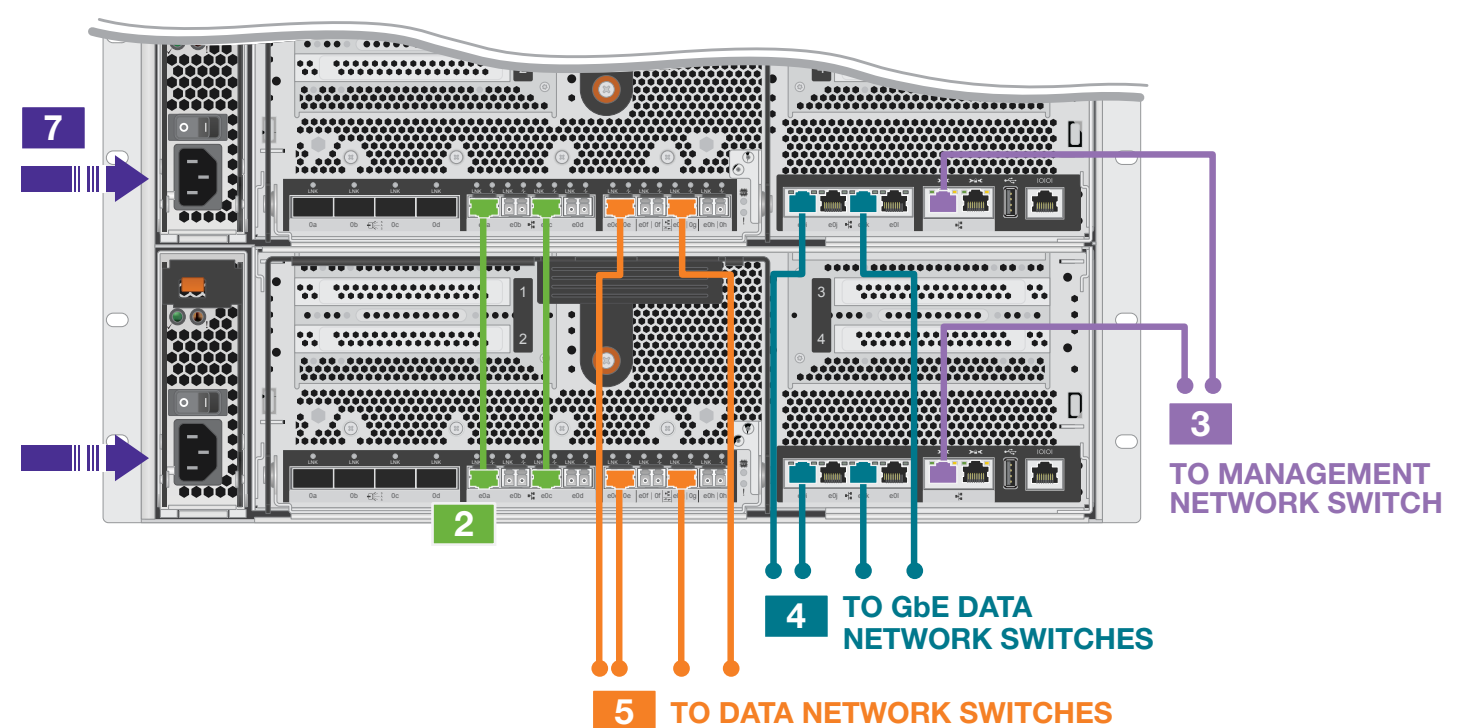
- Strap the cables to the cable management tray. (Not shown)

- Power cables

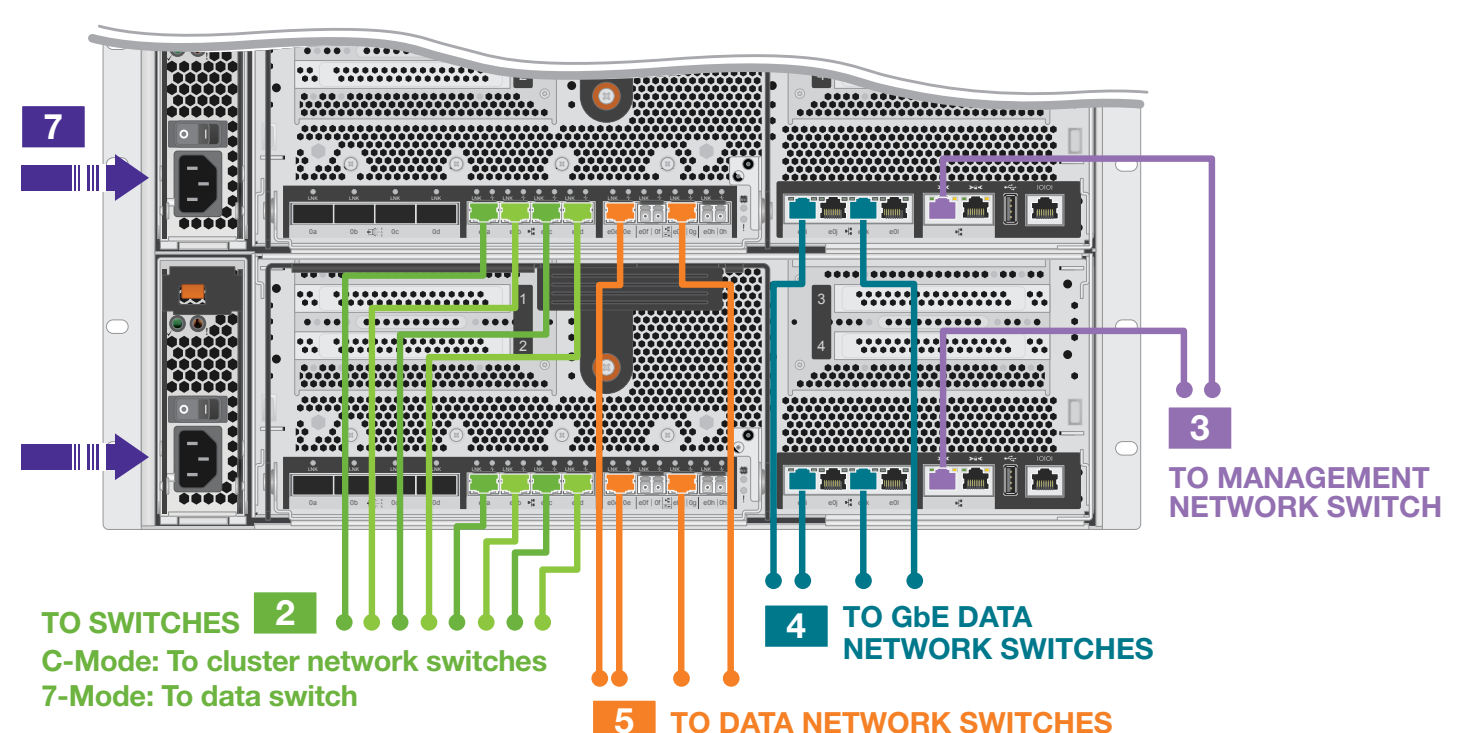
Cable both power supplies for each chassis.

ALL power cords MUST be used for all units.

A Two node switchless cluster, clustered Data ONTAP



B Switched HA configuration (clustered Data ONTAP and 7-Mode)



DO NOT power on system at this point.

A

Single chassis HA with DS424x disk shelves

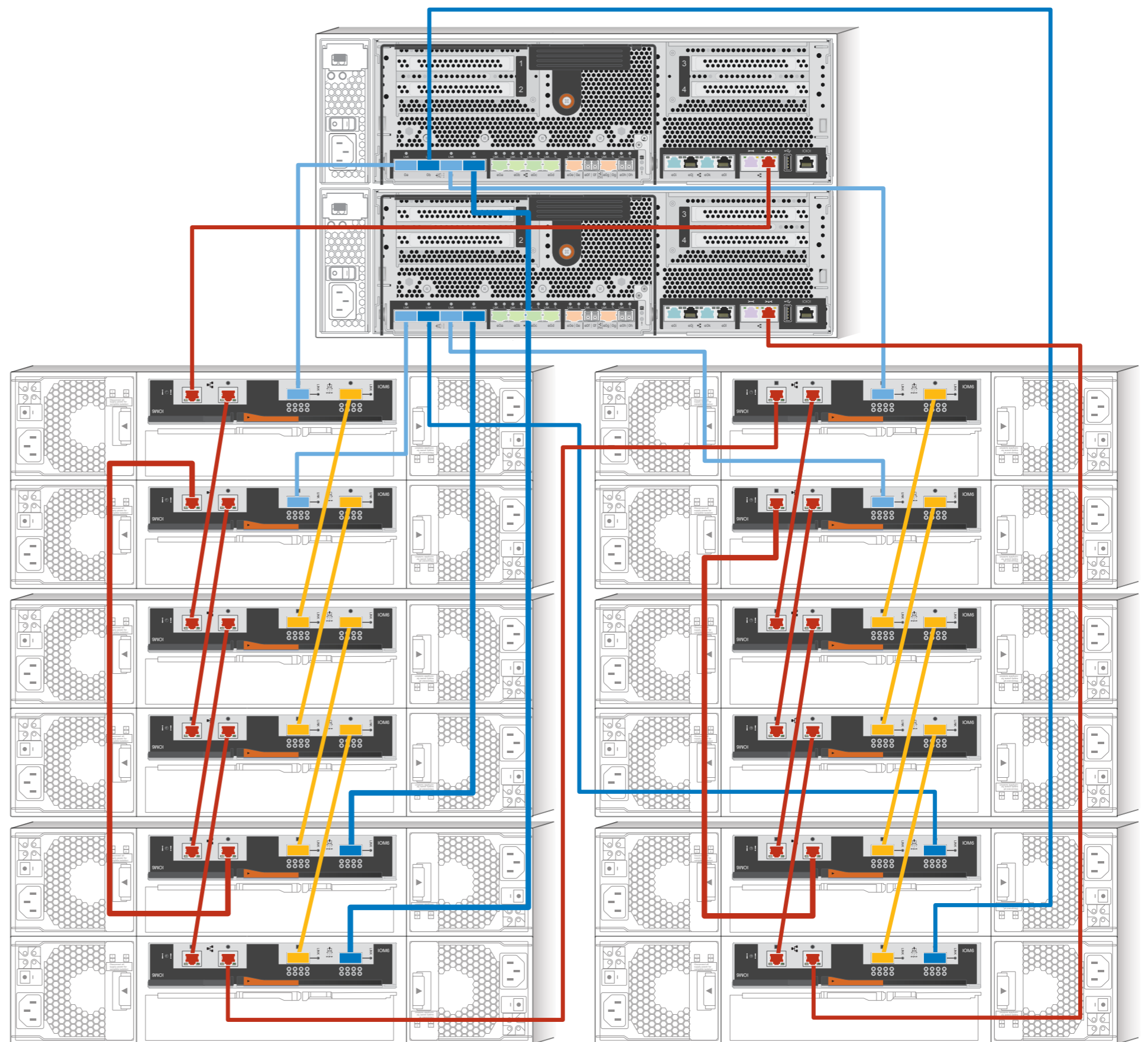
1 2 3



- 1 Daisy chain SAS ports
- 2 Connect first SAS ports
- 3 Connect last SAS ports

4 Network cables

Connect ACP ports
 on controllers to
 the disk shelves and
 shelf-to-shelf ACP ports



B

Single chassis HA with DS2246 disk shelves

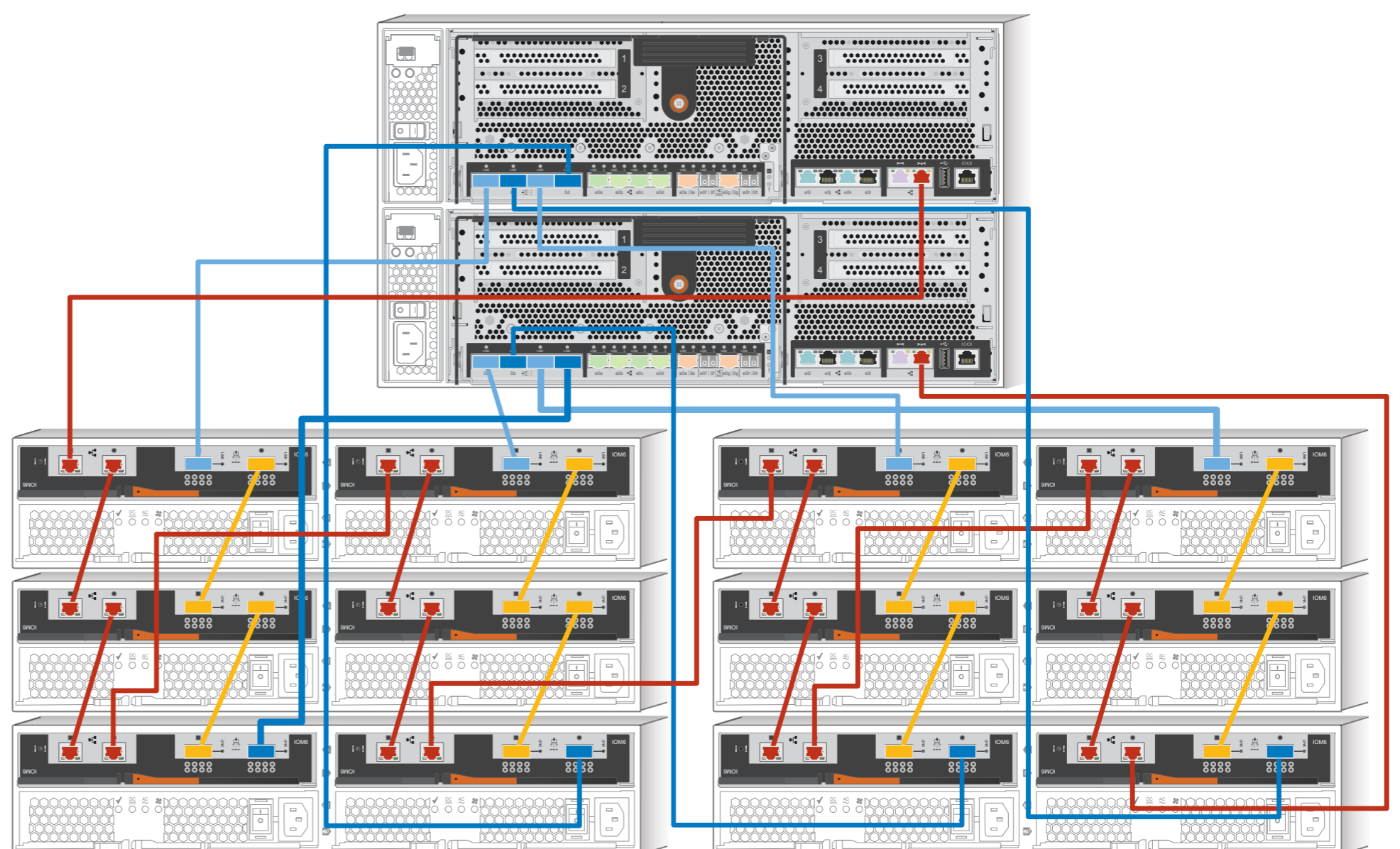
1 2 3



- 1 Daisy chain SAS ports
- 2 Cable first SAS ports
- 3 Cable last SAS ports

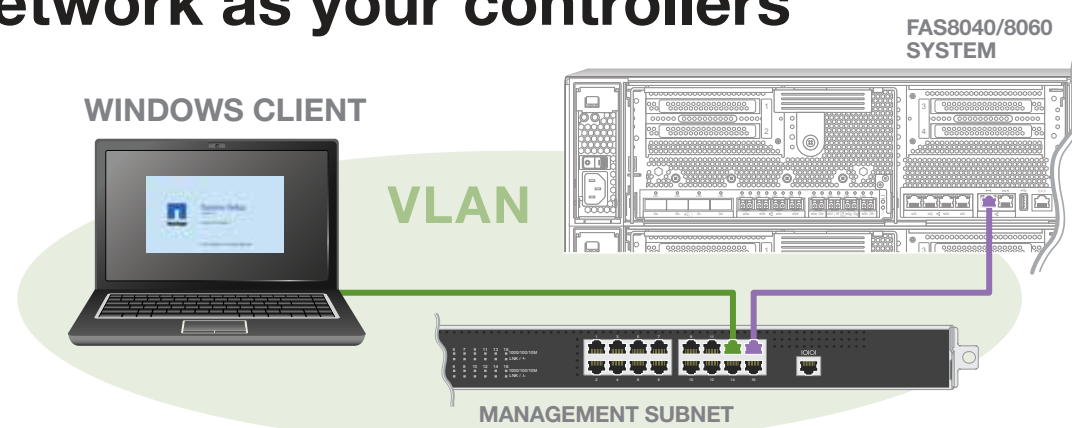
4 Network cables

Cable ACP ports
 on controllers to
 the disk shelves and
 shelf-to-shelf ACP ports




A For Clustered Data ONTAP**1 Complete configuration worksheet**

From http://support.netapp.com/NOW/public/system_setup/

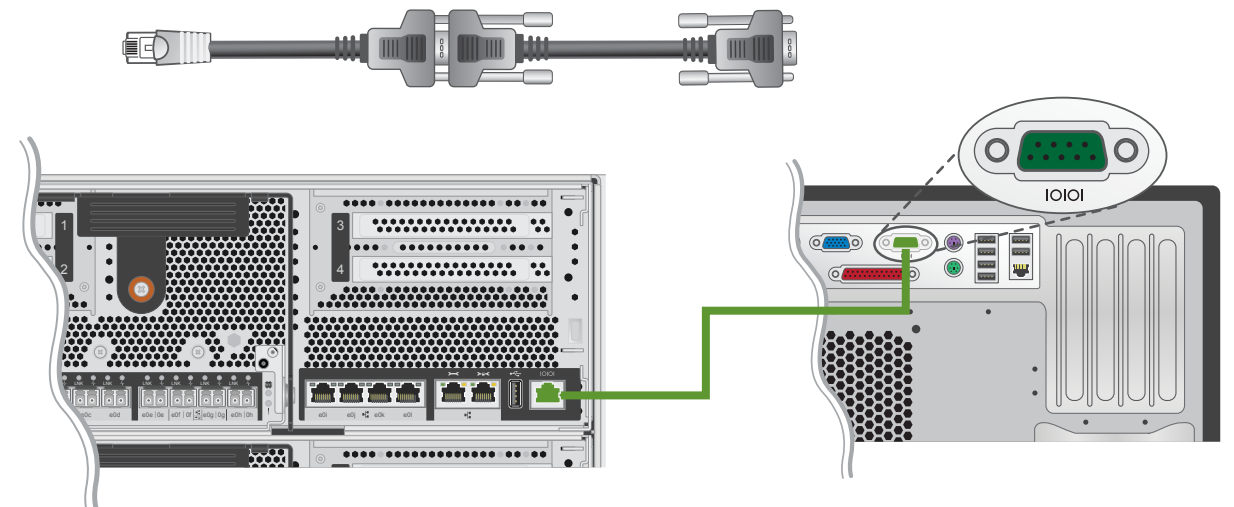
2 Cable Windows client to same network as your controllers**3 Power on all disk shelves ONLY and check IDs****4 Install and run System Setup software**

*If you cannot use System Setup, see the Data ONTAP Software Setup Guide.

- Install System Setup software
- Do not power on your system until directed by System Setup software
Both power supplies MUST be powered on.
- the system. 
Wait for discover to complete.
- Enter the values from the configuration worksheet into System Setup.*


B For 7-Mode, HA**1 Complete configuration worksheets**

From NetApp System Installation Workbook
<https://fieldportal.netapp.com/>
search for "NetApp System Installation Workbook"

2 Cable serial console**3 Power on all disk shelves, check IDs, and then power on the controllers.**

ALL power supplies MUST be powered on.

**4 Complete initial network configuration**

Enter the values from the configuration workbook worksheets when prompted by setup script. 

Complete configuration

1 Register at support.netapp.com

- Create an account and register your system.
- Get your license keys.

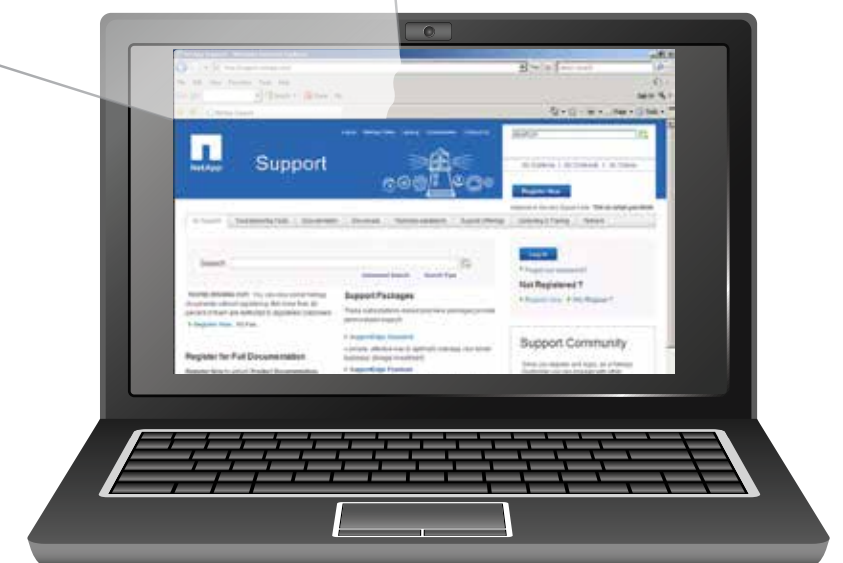
2 Download and run Config Advisor

From http://support.netapp.com/NOW/download/tools/config_advisor/

3 Download OnCommand System Manager

From <http://support.netapp.com/NOW/cgi-bin/software/>

- Provision more storage.
- Configure other protocols, data protection, and AutoSupport.
- Set up Service Processor and Remote Support Agent.

**HELPFUL LINKS**

Visit the NetApp web site for more information.

NetApp
support site



- **System Setup information:** http://support.netapp.com/NOW/public/system_setup/
- **Data ONTAP 8 library:** <http://support.netapp.com/documentation/productlibrary/index.html?productID=30092>
- **Licenses:** <http://support.netapp.com/eservice/agree.do?moduleName=PROTOCOL>
- **Controller and configuration examples; Universal SAS and ACP Cabling Guide:** https://library.netapp.com/ecm/ecm_download_file/ECMM1280392
- **OnCommand System Manager documentation set:** <http://support.netapp.com/documentation/productlibrary/index.html?productID=61372>
- **Data ONTAP Express Guides for your version of Data ONTAP:** <http://support.netapp.com/documentation/productlibrary/index.html?productID=30092>